

- ASSEMBLY TESTED FOR CONTINUITY, OPENS, SHORTS, EEPROM PROGRAM AND SIGNAL INTEGRITY.
- ROHS AND REACH COMPLIANCE: PRODUCT AND PROCESSING MEETS REQUIREMENTS OF TE SPECIFICATION TEC-138-702.

3 LABEL INFORMATION:

	2202502-[]	TE LOGO AND P/N
---	METERS	LENGTH
YYWW		DATE CODE
MADE IN	---	COUNTRY OF ORIGIN

4 LABEL INFORMATION:

	2202502-[]	TE LOGO AND P/N
	MINI-SAS HD	
YYWW		DATE CODE, SSSS= SERIAL NUMBER
		BARCODE

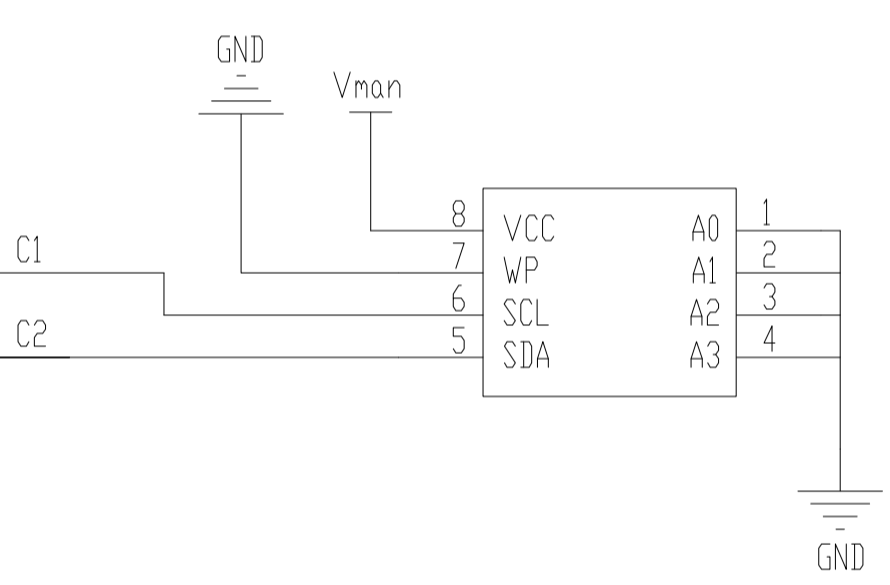
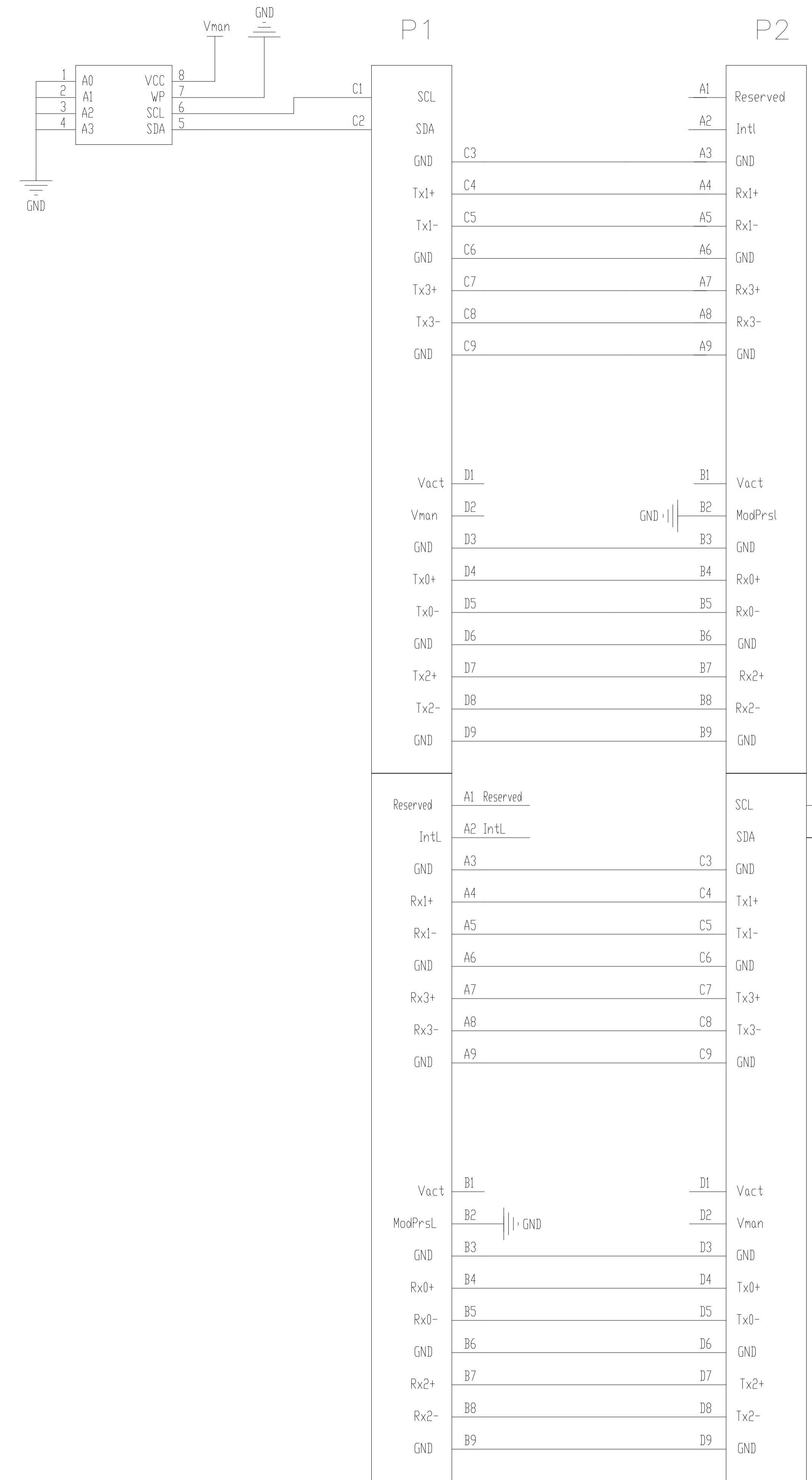
- EEPROM PROGRAMMED PER TE DOCUMENT 2202502_EEPROM.
- 6 -1 ONLY: LABEL IS APPLIED TO THE CENTER OF CABLE ASSEMBLY,

5	+0.1 -0	METERS	2202502-6
4	+0.08 -0	METERS	2202502-5
3	+0.08 -0	METERS	2202502-4
2	+0.08 -0	METERS	2202502-3
1	+0.05 -0	METERS	2202502-2
0.5	+0.05 -0	METERS	2202502-1
L			PART NO

THIS DRAWING IS A CONTROLLED DOCUMENT.

DIMENSIONS:	TOLERANCES UNLESS OTHERWISE SPECIFIED:	DIN P. LI 09MAR2012	APVD J. MEYERS 09MAR2012	NAME
mm	0. PLC ± - 1. PLC ± - 2. PLC ± - 3. PLC ± - 4. PLC ± - ANGLES ± -	CHK J. MEYERS 09MAR2012	APVD J. MEYERS 09MAR2012	CABLE ASSEMBLY, 28 AWG TURBOTWIN, MINI-SAS HD, 4X
MATERIAL	FINISH	SIZE	CAGE CODE	DRAWING NO
		A1	00779	2202502
CUSTOMER DRAWING		SCALE	SHEET	REV
		1:1	1 OF 2	

4805 (3/11)



THIS DRAWING IS A CONTROLLED DOCUMENT.		DIN P. LI	09MAR2012	TE Connectivity
DIMENSIONS: mm		CHK J. MEYERS	09MAR2012	
TOLERANCES UNLESS OTHERWISE SPECIFIED:		APVD J. MEYERS	09MAR2012	NAME CABLE ASSEMBLY, 28 AWG TURBOTWIN, MINI-SAS HD, 4X
0. PLC ± -		PRODUCT SPEC		APPLICATION SPEC
1. PLC ± -		MATERIAL		RESTRICTED TO
2. PLC ± -		WEIGHT		SIZE A1
3. PLC ± -		FINISH		CAGE CODE 00779
4. PLC ± -		CUSTOMER DRAWING		DRAWING NO 2202502
ANGLES ± -		SCALE 1:1		SHEET 2 OF 2
MATERIAL		REV C		